

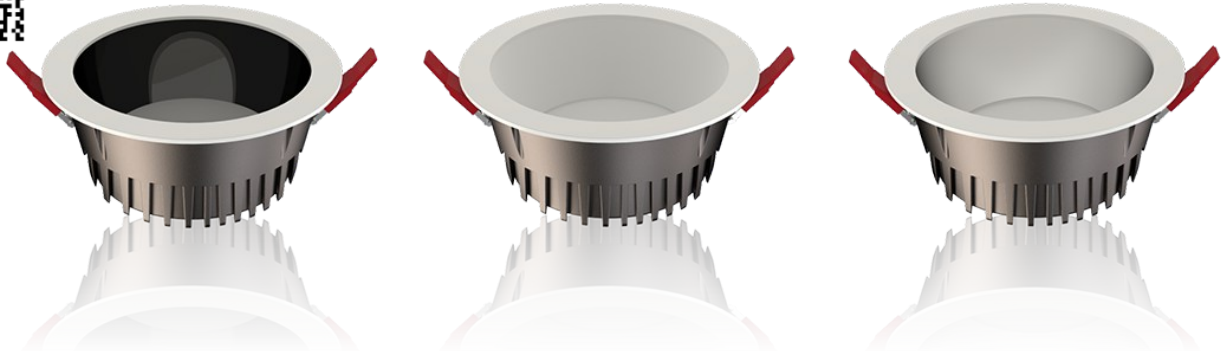


# ZHONGSHAN XILE OPTOELECTRONIC TECHNOLOGY CO.,LTD.



## Datasheet- Small Panel Light Athena III

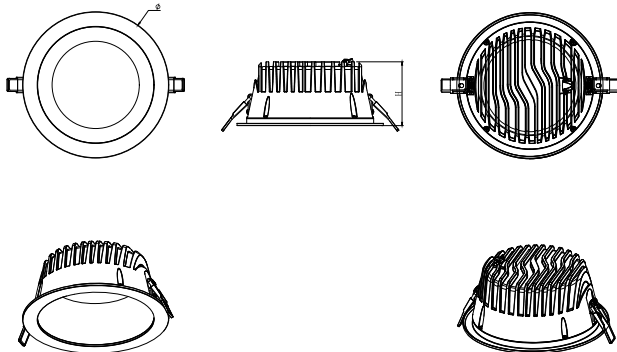
Details



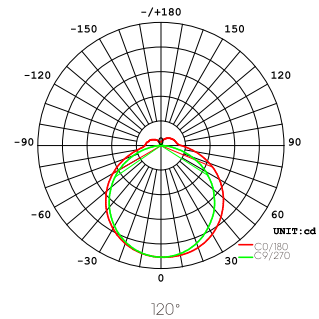
### PARAMETERS:

Model No	XLAGCOB-7W	XLAGCOB-10W	XLAGCOB-15W	XLAGCOB-16W	XLAGCOB-17W	XLAGCOB-18W
Power	7W	10W	15W	16W	17W	18W
Efficacy	110LM/W					
Voltage	165-265V					
CRI	70/80					
Beam Angle	60°	60°	60°	120°	120°	120°
Size (mm)	Φ90*45	Φ110*45	Φ130*65	Φ165*65	Φ190*65	Φ225*65
Cutout(mm)	Φ75	Φ85	Φ105	Φ140	Φ165	Φ200

### DIMENSIONS



### LIGHTING DISTRIBUTIONS



### EXPLODE



### APPLICATIONS

